



PERFORMANCE USA LLC

January 29, 2014

94-96 Impala SS/ B-Body Rear Coilover Conversion Kit



The following instructions are intended for professional installers and are guidelines only. Speedtech Performance assumes NO responsibility for the installation of any of its products. All products are intended for off road use only and must be installed by qualified professionals only.

Thank you for purchasing your new Speedtech B Body coilover conversion kit. Installing this product will require the unbolting and removal of some of your rear suspension. Take all necessary precautions whenever jacking up your vehicle and use safe and sturdy jack stands to support the vehicle whenever it is off the ground. Be sure to take all other safety precautions required to do the job correctly.

B Body Rear Coilover Conversion Hardware Kit Checklist

- Installation Instructions (1)
- Black Aluminum Shock Adapters (2)
- Shock Mount Conversion Brackets (2)

Bolts

- Upper Shock Mount (4)
3/8 x 1 1/4 NC
- Upper Bracket Mount (4)
7/16 x 1 1/4 NF
- Lower Bracket Mount (2)
1/2 x 1 1/4 NF
- Shock Adapter Mount
5/8 x 4 1/2 NF (2)
5/8 x 1 NF (2)

Nylock Nuts

- 3/8 (4)
- 7/16 (4)
- 5/8 (2)

Washers

- 3/8 (8)
- 7/16 (8)
- 5/8 (6)

*** Additionally you will need a drill with a 3/8" and a 7/16" bit to properly mount this bracket and shocks.**

The vehicle should be on a level surface before you start.

1. In a couple short hours you can update your Impala SS or B Body Caprice with your new Speedtech Performance coilover brackets and shocks. We recommend you inspect all of your car's suspension prior to installation of our parts, such as bushings and trailing arms which may be worn and could cause adverse effects. Replace parts as necessary. Now is also a great time to upgrade to our Articulink rear trailing arms and adjustable rear sway bar.
2. Jack up and properly support the vehicle's frame on sturdy jack stands. Remove the rear wheels if needed for extra room to work. With the rear axle supported remove the shocks. Carefully lower the rear axle to the point that you can remove the coil springs.
3. The Speedtech coilover bracket is designed to slip over and bolt on to the existing shock bracket. Note that for determining left and right sides, the shock mount tabs are located inward.
4. Attach the new conversion bracket to the factory shock mount bracket. First bolt the 1/2 x 1 1/4" bolt, (2) 1/2" washers, and 1/2" Nylock nut through the original hole where the factory shock bolt used to be. Be sure Speedtech bracket fits snug up against the factory shock bracket before tightening.



Next, clamp the bracket to the factory mount. This will keep it stable while you drill the two required holes.



Measure and mark the rear side of the factory bracket 3" above the 1/2" bolt. Using your mark, drill a 7/16" hole through both the factory and Speedtech bracket. Install one 7/16 x 1 1/4", (2) 7/16" washers, and one 7/16" Nylock nut through the hole and tighten.

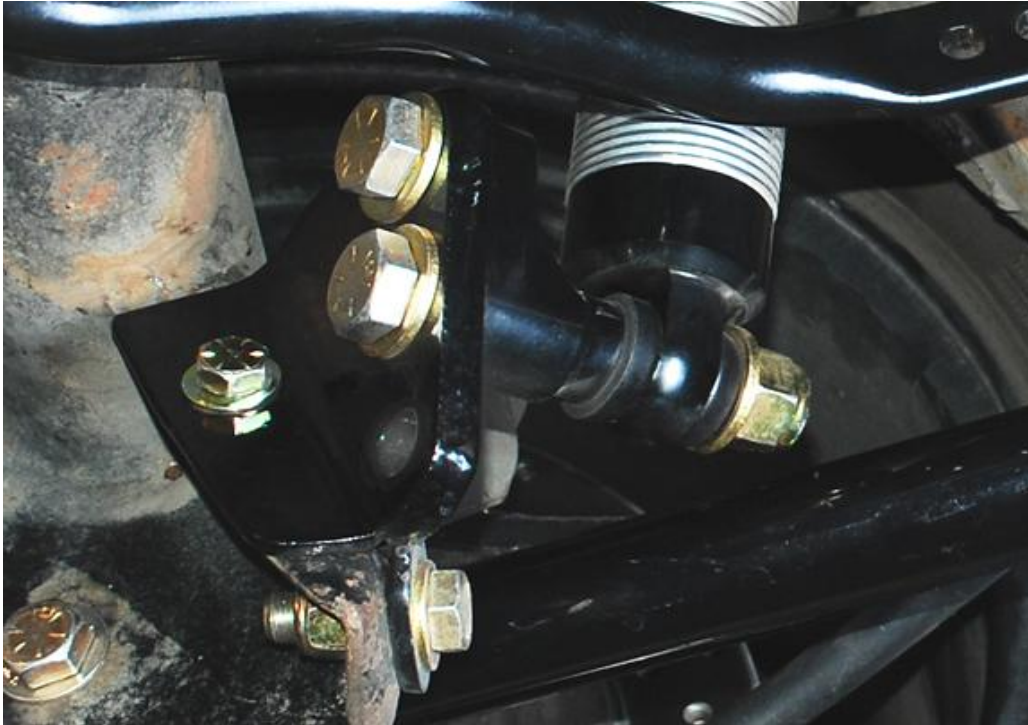


Using the pre-drilled hole in the Speedtech bracket as a guide, drill a 7/16" hole in the side of the factory bracket. Use one 7/16 x 1 1/4" bolt, (2) 7/16" washers, and one 7/16" Nylock Nut and tighten down.

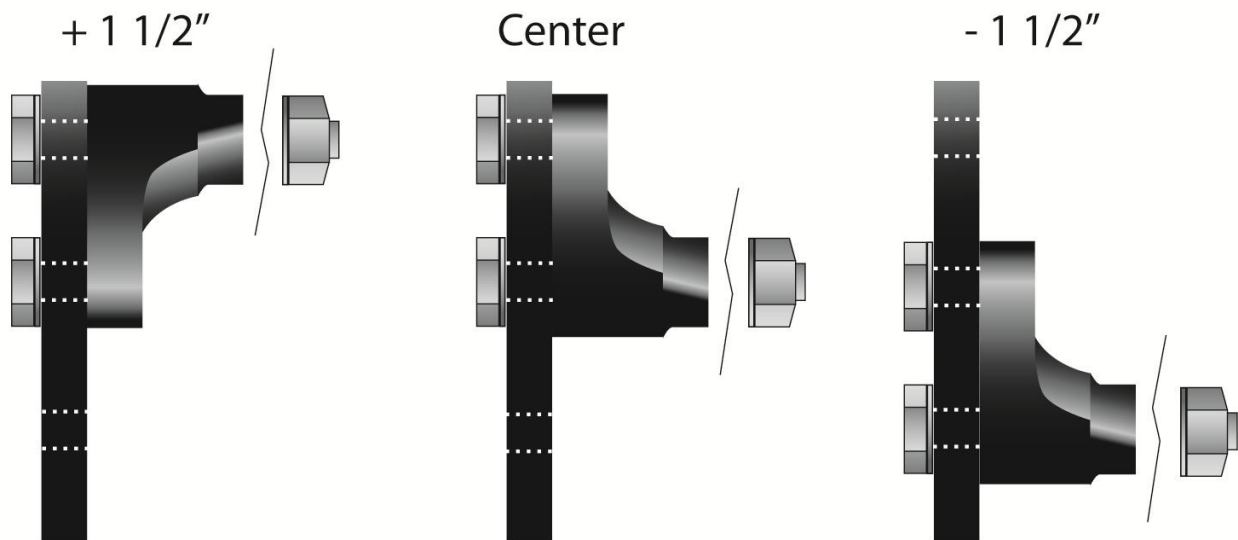


DO NOT skip these steps. Both of the 7/16" bolts must be installed to properly secure the coilover conversion bracket.

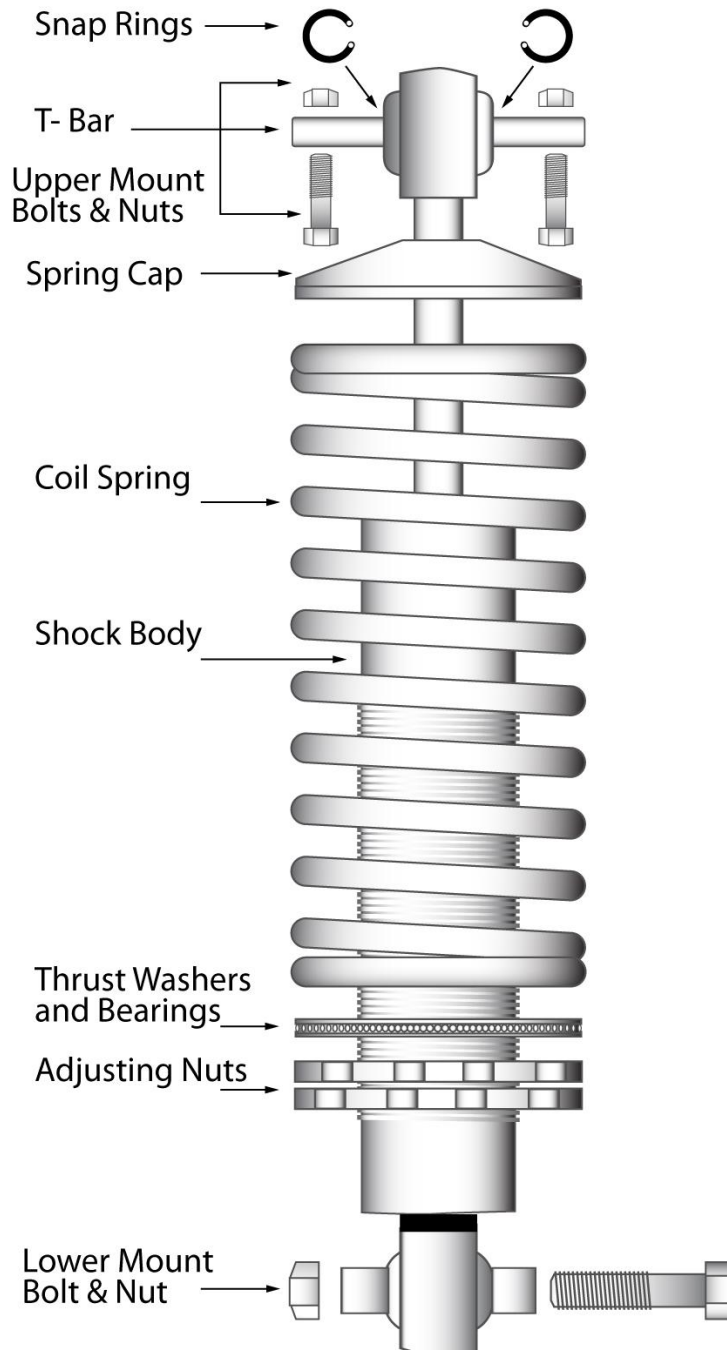
5. Install the shock mount adapter to the bracket using the 5/8 x 1" bolt. There are 3 possible positions to mount this adapter, each affecting ride height up or down. We recommend bolting the longer 5/8 x 4 1/2" bolt through the center hole as a starting point.



If you want additional ride height drop or lift, simply rotate the adapter accordingly to move that longer bolt to one of the other holes.



6. If a shock is completely assembled it may be difficult to install the upper mount bolts. We recommend the following steps to ease installation. First install the spring lower adjusting nuts on the shock body at the lowest setting. Slip the thrust washers and spring onto the shock body. Without the top spring cap in place, install the shock into the lower adapter mount with the 5/8 x 4 1/2" and into the upper mount with the 3/8" bolts, washers, and nuts. Moving the spring side to side should yield you enough room to tighten the two upper bolts. When the shock is bolted tight, install the upper spring cap and then tighten the spring adjusting nuts so that the spring is up against the top cap.



7. Be sure all bolts are tight.

8. Repeat this process for the other side.

9. With the weight off the rear suspension, support the rear axle and set the initial ride height according to manufacturer recommendations. Replace wheels and tires and carefully lower the vehicle back onto the ground. Now fine tune your ride height adjustments.

Because you have used factory mounting points as a base for this kit a wheel alignment may not be necessary. If you have installed adjustable trailing arms and/or changed front suspension components at the same time we do recommend having an alignment performed by a reputable source familiar with performance based alignments on older vehicles.

Note: Use alignment specifications on next page, not alignment shop pre-programmed factory specs!

Note: These are only suggestions and may need additional changes to achieve the optimum settings for your driving style or situation.

Daily Driving, Street Performance Specifications

Driver Side	Passenger Side
4 Degrees positive Caster	4 ½ Degrees positive Caster
0 to ½ Degree negative Camber	0 to ½ Degree negative Camber
3/ 32 Total Toe-in	3/ 32 Total Toe-in

Aggressive Track Alignment Specifications

Driver Side	Passenger Side
5 ½ Degrees positive Caster	6 Degrees positive Caster
½ to 1 Degree negative Camber	½ to 1 Degree negative Camber
3/ 32 Total Toe-in	3/ 32 Total Toe-in

Original Alignment Specifications

****For reference purposes only. Do Not use these specs.**

Driver Side	Passenger Side
½ Degree positive Caster	½ Degree positive Caster
¼ to ½ Degree negative Camber	¼ to ½ Degree negative Camber
1/8 Total Toe-in	1/8 Total Toe-in

1-435-628-4300
www.speedtechperformance.com
Copyright Speedtech Performance USA LLC

Terms and Conditions of Sale

1. Effective January, 2008, supersedes all previous policy statements. Policies are subject to change without notice. Speed tech performance Ltd. is not responsible for printing errors.
2. Speed Tech Performance Ltd. does not endorse, nor recommend modification of vehicles for use on public highways, since warranty or government regulations may be violated. As an express condition of sale of any performance part, the buyer acknowledges and agrees to use the performance parts for the modification of vehicles in sanctioned OFF-ROAD competitive events and show purposes only. Customers should exercise their discretion on matters with regards to the purchase and installation of these products.
3. Speed Tech Performance Ltd. does not ensure the legal use of these products. We do not guarantee the fitment of these products for anything other than their intended application nor do we assume any responsibilities what so ever for the misuse or losses incurred by the use of any of these components. While every effort is made to provide technical information and assistance, we have no control over owner installation, modification, and unusual stress that performance parts are subject to.
4. The customer acknowledges that Speed Tech Performance Ltd. and its employees are not responsible for any mechanical failures due to the use of parts sold, supplied or installed not for their intended application. Speed Tech Performance Ltd will not be held liable for any damages which are incurred directly or indirectly on the vehicles or operators or passengers of the vehicle
5. Please consult your sales agent and/or technician prior to purchase of any of Speed Tech Performance Ltd. Products to ensure proper fit. The buyer assumes all responsibilities for determining the suitability of the product. All aftermarket products should always be installed by professionals only.

Warranty Claim:

1. Speed tech Performance Ltd. Warrants its products against materials and workmanship failure for the term of 12 months (1 year) from the date of purchase and only up to the amount paid with proof of purchase.
2. Seller's liability shall as limited to repairing or replacing, at its option, any defective product which is returned, freight prepaid to Seller, according to the Merchandise Return Procedure set forth in Section 3 below. Buyer shall bear all responsibility for shipping charges and risk of loss or damage during transit to Seller. Products which have been subjected to abuse, misuse, alteration, neglect or unauthorized repair or installation, as determined solely by Seller, are not covered by this warranty. Any alterations, addition, improvements or attachments to the product(s) not authorized in writing by the Seller shall be deemed to be a waiver of this warranty by Buyer and shall render this warranty null and void. Seller shall return repaired or replaced product(s) to Buyer, at its expense via regular ground service in Canada. Shipping charges by all other methods and to all other destinations shall be borne by Buyer.
3. Merchandise return procedure
 - A. If you purchased your Speed tech performance ltd product from us or from an authorized dealer, you are covered by the terms of this policy. All claims however, must be submitted directly to Speed tech performance Ltd.
 - B. Call the customer service representative at 1-888-467-1625.
 - C. Provide the invoice number, date of purchase and reason for return
 - D. You will be assigned a Returned Goods Authorization Number (RGA). The package you return must show the RGA on the outside of the package, include the original invoice and be shipped prepaid to our facility. The part has to be in its original packaging materials and be in a resellable condition. For parts presenting signs of use, only warranty claims will be accepted.
 - E. Ship to seller, freight pre-paid and insured for replacement cost in original packaging.
 - F. Replacement or repair decision will be made when merchandise is received by seller. No advance replacement is available.

How to File a Warranty Claim:

The answer to ALL the following questions should be YES before contacting our Customer Service Department.

Is the part appropriate to your application?

Did you carefully and thoroughly read the instructions provided along with the part?

Do you have the proof of purchase?

Are you the original purchaser?

Is the part unmodified and clean?

Is the return date within 3 months from the purchase date?

Is the reason for return a legitimate product defect?

If the answer to all these questions is YES, please contact our Customer Service Department at 1-888-467-1625. You will be given a Returned Goods Authorization Number (RGA) valid for 30 days. You will also be asked to ship the part prepaid to our facility. All shipments MUST be prepaid, include the original invoice and show the RGA on the outside of the package, otherwise it will be refused. Please include a brief explanation letter in order to expedite the warranty analysis process.

What doesn't this Warranty Cover?

The costs not covered by this warranty include but are not limited to:

- Removal, installation, shipment and insurance costs.
- Improper installation or maintenance
- Misuse or abuse, negligence
- Damage to related components
- Normal wear and tear.
- Costs incurred due to down time of vehicle
- Alterations on the original design or unauthorized repairs.

All warranties implied by law are limited in duration of this warranty. You have specific rights that may vary from state to state or Province to Province. By purchasing any of the products that are manufactured by speed tech performance you agree to any and all of the above terms and conditions. **Copyright © Speedtech Performance USA LLC**

This page is left blank intentionally